

E/M45 Series

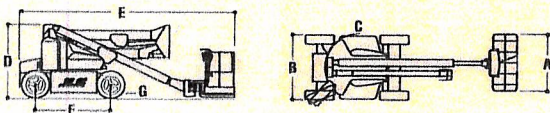
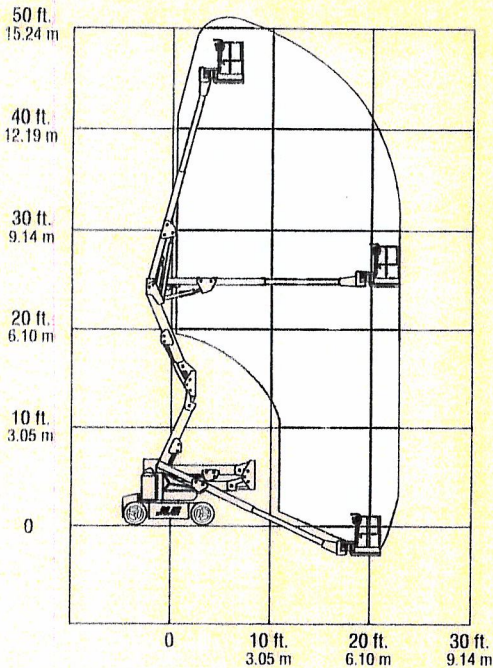
**ELECTRIC ARTICULATING
BOOM LIFTS**



E45A
E45AJ
M45A
M45AJ

JLG

JLG MODEL E45A & M45A



REACH SPECIFICATIONS

Platform Height	13.72 m (45 ft)
Horizontal Outreach	7.04 m (23 ft. 1 in.)
Up and Over Height	7.49 m (24 ft. 7 in.)
Swing	360 Degrees Non-Continuous
Platform Capacity	230 kg (500 lbs.)
Platform Rotator	180 Degrees Hydraulic

DIMENSIONAL DATA

A. Platform Size	0.76 x 1.52 m (30 x 60 in.)
B. Overall Width	1.75 m (5 ft. 9 in.)
C. Tailswing	Zero
D. Stowed Height	1.98 m (6 ft. 6 in.)
E. Stowed Length	5.82 m (19 ft. 1 in.)
F. Wheelbase	2.01 m (6 ft. 7 in.)
G. Ground Clearance	0.22 m (8.5 in.)
Gross Vehicle Weight*	5,780 kg (12,750 lbs.)
Ground Bearing Pressure	6.6 BAR (95 PSI)

CHASSIS

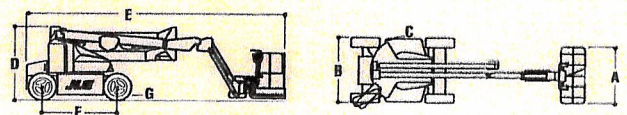
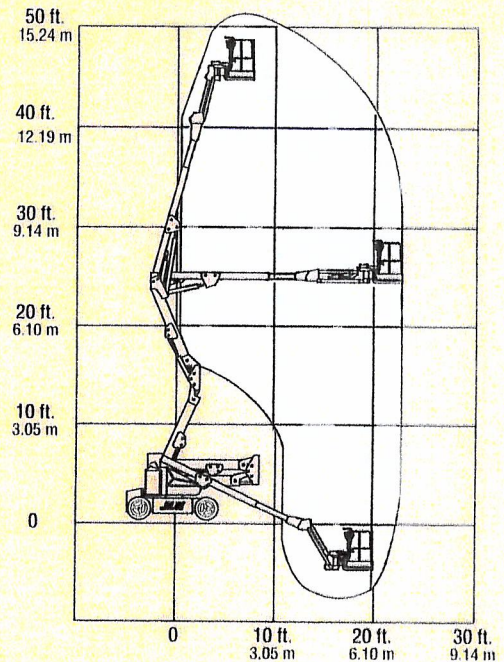
Drive Speed	5.2 kph (3.2 mph)
Gradeability	30%
Turning Radius (Inside)	0.61 m (2 ft. 0 in.)
Turning Radius (Outside)	3.15 m (10 ft. 4 in.)
Tyre Size/Type	240/55-17.5 pneumatic

POWER SOURCE

Electrical System	48V DC
Batteries	8 x 6V 370 amp-hr
Drive Motors	Dual Electric Traction
Brakes	Automatic Spring Applied Multiple Discs
Hydraulic Motor/Pump	Perm. Magnet Motor/Gear Pump
Hydraulic Reservoir	15.2 L (4 gal.)
Generator Set (M45A)	Fully Automatic, 45 amp Yanmar 6 hp Air-Cooled Engine
Engine Fuel Tank (M45A)	15.2 L (4 gal.)

*Certain options or country standards will increase weight. M models add 140 kg (300 lbs.)

JLG MODEL E45AJ & M45AJ



REACH SPECIFICATIONS

Platform Height	13.72 m (45 ft.)
Horizontal Outreach	7.24 m (23 ft. 9 in.)
Up and Over Height	7.70 m (25 ft. 3 in.)
Swing	360 Degrees Non-Continuous
Platform Capacity	230 kg (500 lbs.)
Platform Rotator	180 Degrees Hydraulic

DIMENSIONAL DATA

A. Platform Size	0.76 x 1.52 m (30 x 60 in.)
B. Overall Width	1.75 m (5 ft. 9 in.)
C. Tailswing	Zero
D. Stowed Height	2.01 m (6 ft. 7 in.)
E. Stowed Length	6.5 m (21 ft. 2 in.)
F. Wheelbase	2.01 m (6 ft. 7 in.)
G. Ground Clearance	20 cm (8 in.)
Gross Vehicle Weight*	6,532 kg (14,400 lbs.)
Ground Bearing Pressure	7.6 BAR (110 PSI)

CHASSIS

Drive Speed	5.2 kph (3.2 mph)
Gradeability	30%
Turning Radius (Inside)	0.61 m (2 ft. 0 in.)
Turning Radius (Outside)	3.15 m (10 ft. 4 in.)
Tyre Size/Type	240/55-17.5 foam filled

POWER SOURCE

Electrical System	48V DC
Batteries	8 x 6V 370 amp-hr
Drive Motors	Dual Electric Traction
Brakes	Automatic Spring Applied Multiple Discs
Hydraulic Motor/Pump	Perm. Magnet Motor/Gear Pump
Hydraulic Reservoir	15.2 L (4 gal.)
Generator Set (M45AJ)	Fully Automatic, 45 amp Yanmar 6 hp Air-Cooled Engine
Engine Fuel Tank (M45AJ)	15.2 L (4 gal.)

*Certain options or country standards will increase weight. M models add 140 kg (300 lbs.)